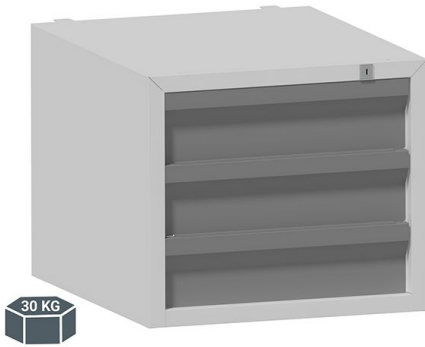

Box with 3 lockable drawers

Reference : 18688



Description :

Box W 500 x D 578 x H 445 mm with 3 drawers H 125 mm and centralized lock

Benefits :

- Effective and total protection of your tools in your workshops thanks to the lock.
- Drawers sliding at 90% of their depth on precision slides.
- Robust steel sheet construction for durable use in industrial environments.

Technical specifications :

Product Name	Box with 3 lockable drawers
SKU	18688
Weight (kg)	1.000000
Application	Lean Manufacturing, Industrie, Production, Atelier, Accessoires poste de travail
