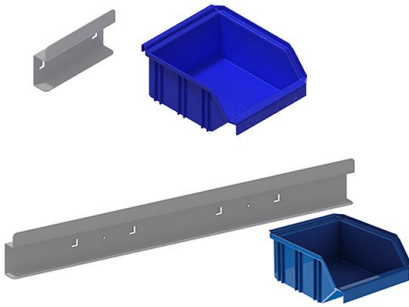

Rail for plastic bin

Reference : 382



Description :

Rail for plastic bin

Benefits :

- Mounting rail for hanging your spout box allows you to organize your supplies, screws or small spare parts.
- Simple, easy and quick to attach to the grooves of the anodised grooved aluminium profile.
- Available in different lengths 100 and 450 mm.
- "A place for everything" according to the 5S principle.

Technical specifications :

Product Name	Rail for plastic bin
SKU	382
Weight (kg)	1.000000
Application	Accessoires poste de travail, Accessoires profil aluminium, Accessoires bac plastique
